



NEW

SmartSeatPro II

A smart evolution in complex seating

Product Guide

A new and upgraded, highly adjustable specialist seating system for individuals with complex postural management and pressure care needs.



CareFlex

The New SmartSeatPro II

Take A Closer Look



Tilt-in-Space

Multi-Adjustable Back & Head System



Modifiable Filling Within Back & Head Sections



Adjustable Seat Width

Adjustable Arm Height



Removable Transfer Armrests

Flip-Up, Angle Adjustable Footplate



Increased Ground Clearance



Back Angle Recline



Option for Quick Release Levers

Tilt-in-Space Inclinometer



Adjustable Seat Depth



Standard Features At A Glance

The all-new SmartSeatPro II is a highly adjustable modular seating system for adults that takes specialist seating to the next level for those with complex postural management and pressure care needs. The SmartSeatPro II's unique design allows for a range of configurations to ensure postural asymmetries can be fully stabilised, accommodated, and, where possible, corrected from the feet to the pelvis and through the spine to the head.

The SmartSeatPro II benefits from Tilt-in-Space, Back Angle Recline, and a multi-adjustable back and head system with new sections of modifiable filling. The chair's design gives Health & Social Care Professionals maximum adaptability to optimise posture, function and comfort for individuals in all environments, including domestic settings, schools, care homes and hospitals. Operation of chair functions can be by either manual gas action control or battery-controlled motors and a pro-control option. The chair provides high levels of comfort and the robust construction quality associated with CareFlex chairs. The SmartSeatPro II comes with a Lifetime Frame Warranty for extra peace of mind.

CLIENT GROUPS

- Cerebral Palsy
- Traumatic Brain Injury
- Spinal Cord Injury
- Stroke
- Muscular Dystrophy
- Motor Neurone Disease

ENVIRONMENTS

- Domestic and Home Care
- Rehabilitation Settings
- Hospital Wards
- Schools and Colleges
- Nursing and Residential Homes

ADJUSTMENT CONTROL OPTIONS

- Manual
- Pro-Control (Leg Rest and Tilt-in-Space functions only)
- Fully Motorised

FEATURES

- **New** Multi-Adjustable and Modifiable Back and Head System
- Tilt-in-Space with **New** Inclinometer (Visual Tilt Angle Indicator)
- Back Angle Recline with **New** Visual Indicator
- WaterCell Technology
- **New** Increased Negative Angle, Channelled and Elevating Leg Rest
- **New** Angle Adjustable Flip-Up Footplate
- **New** Integral Seat Depth Adjustment
- **New** Integral Seat Width Adjustment
- **New** Integral Arm Height Adjustment
- **New** Adjustable and Removable Armrests
- **New** Hoist and Transfer Friendly Frame with Increased Ground Clearance
- Four Fully Braked Castors
- **New** Removable Battery Tray on Motorised Versions



Multi-Adjustable Head and Back System



Tilt-in-Space Inclinometer



Easy and Clear Seat Width Adjustments

Optional Accessories

OPTIONS

- Back & Head Adjustment Kits (Lever Adjustment or **New** Quick-Release)
- Back Depth Adjustment Upgrades
- **New** Armrest Upgrade with Quick Ratchet Adjustments
- **New** Ergonomically Shaped Lateral Supports (Option to use two supports on each side)
- Range of Head Supports
- Range of Positioning Aids
- Range of Footplate Supports
- **New** Adjustable and Swivel Head Pommel
- Tray
- Tailored Seating Solutions

EXTRAS - (contact us for details)

- Express & Emergency Chair Service
- Aftercare Service Packages



The New SmartSeatPro II

The SmartSeatPro II offers a range of functions and accessories to promote good postural support at all body segments, especially pelvic stability, trunk alignment, head support and foot support:

Multi-Adjustable Back and Head System

- Four-part system can be easily configured to suit individual needs.
- Soft and removable padding at all sections allow for configuration for enhanced comfort and provides support exactly where indicated.
- The individual components can be quickly and easily adjusted tool-free.
- The three lower sections can be altered in height, depth, angle, offset and rotation.
- The top articulating head section also allows for specific profiling of the back of the chair to accommodate the more complex head and neck positions.
- The lower lumbar and sacral sections can be further configured to fully meet the individual's pelvic stability needs.

Adjustable Lateral Supports (Optional Accessory)

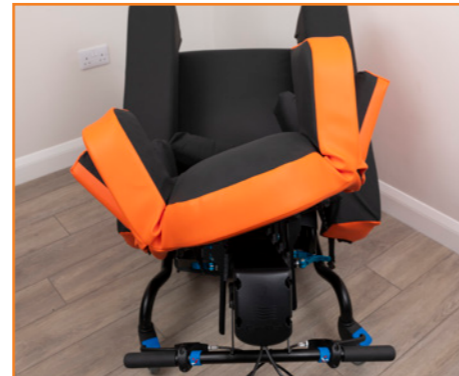
- Adaptable trunk control with independent height and width adjustment is achievable with the new ergonomically shaped external lateral support.
- For individuals who may require firmer postural support to achieve an optimum midline position.

Channelled Leg Rest

- The channelled elevating leg rest provides comfort whilst maintaining an aligned and safe position at the lower limbs.
- Leg rest elevation angle will depend on range of movement/hamstring muscles length.
- The new negative angle can accommodate limited knee range of movement allowing a more comfortable seating position for those with contractures or tight hamstrings.

Angle Adjustable Footplate

- Foot support is essential for sensory feedback and to reduce the risk of pressure injury.
- Encourages postural stability to allow freedom of movement in the upper limbs from their load-bearing role.
- The angle adjustability can accommodate fixed positions at the ankle or correct foot posture to a more neutral position for comfort and pressure distribution.



Postural Support Where Needed

Tilt-in-Space (TiS)*

- Seat to back angle remains the same – the whole system tilts posteriorly.
- Promotes pelvic stability.
- Encourages pressure distribution whilst also managing energy levels.
- Assists with hoisting and positioning.
- Tilt angle will be dependent on safety, tolerance, and appropriateness.
- The new informative inclinometer will aid seating prescription and safe use.

Back Angle Recline (BAR)*

- Seat to back angle adjusts to open up the hip angle.
- Assists with comfort and reduces abdominal pressure.
- Accommodates reduced hip flexion range of movement, and helps alleviate any associated pain.
- Back angle will be dependent on hip range of movement and pelvic stability.
- The visual back angle indicator for degree of recline will aid seating prescription and safe use.

* Tilt-in-Space and Back Angle Recline should always be prescribed responsibly, ensuring that they are safe and appropriate for the user following a comprehensive assessment of posture and risk, with advice sought from the multi-disciplinary team where indicated. In some cases, these functions will be contra-indicated, and they could also increase shear and friction forces.

Adjustable Armrests

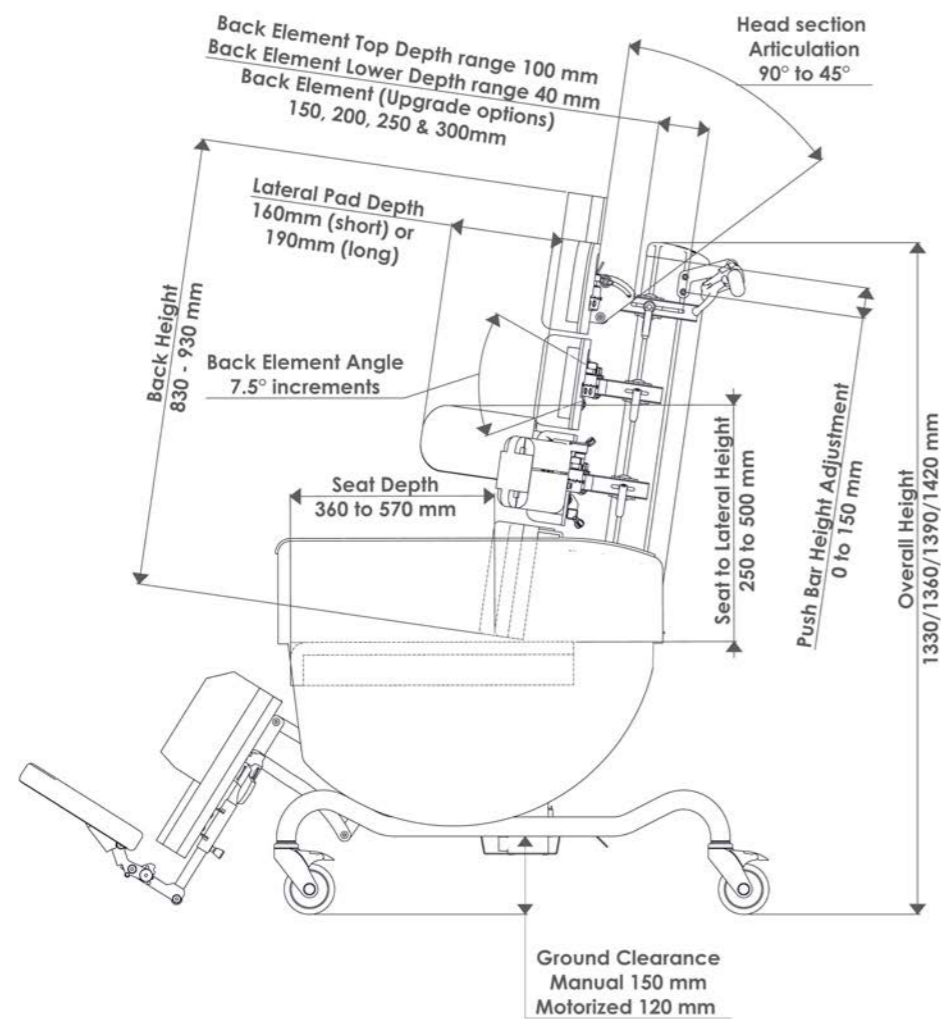
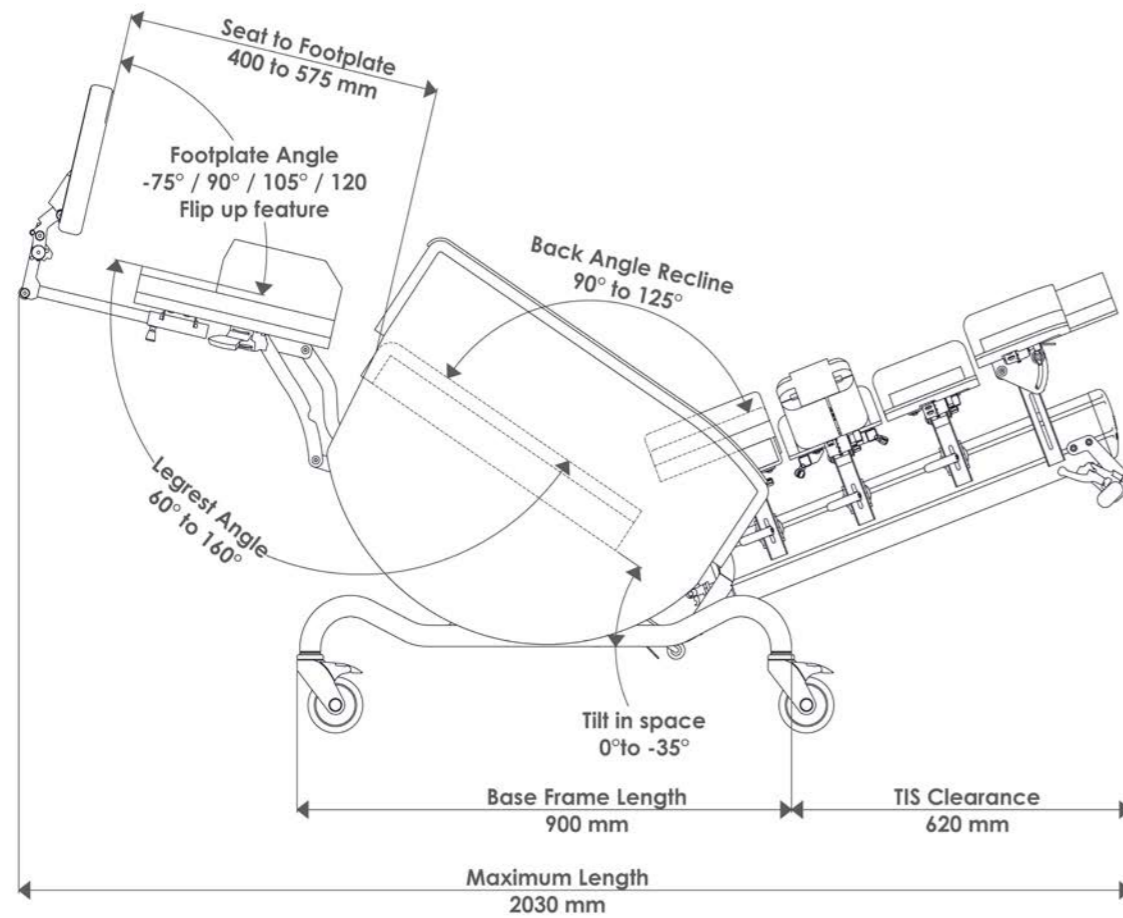
- New height adjustable armrests allow the front and back to be set at different heights to angle support.
- Armrests can also be utilised to set the chair at different widths from front to back and left to right, which may be indicated for users with some degree of fixed lower limb postures such as windsweeping (additional seat inserts can be added to increase this range).
- The optional extra unique ratchet system may be indicated for environments where arm height needs to be adjusted regularly.
- Armrests are removable to facilitate transfers and sling application/removal.

Adjustable and Swivel-Head Pommel (Optional Accessory)

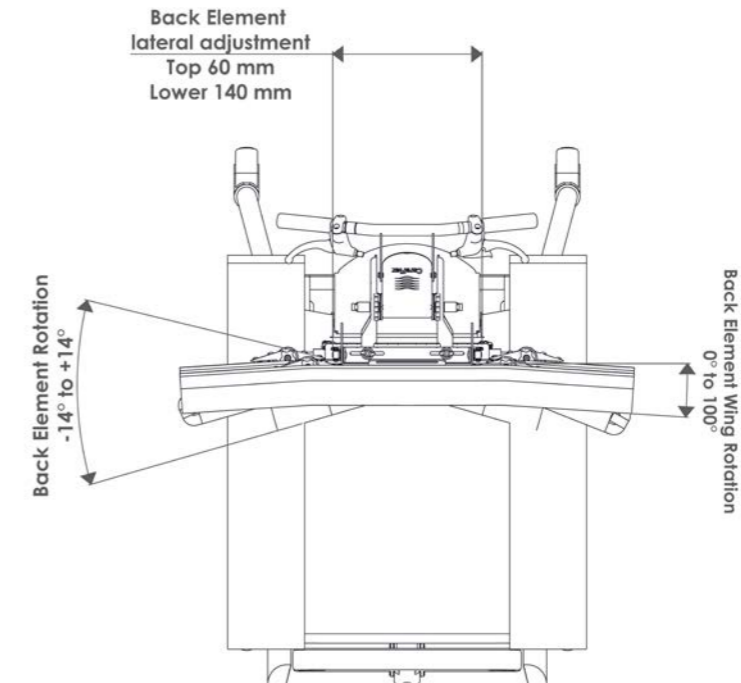
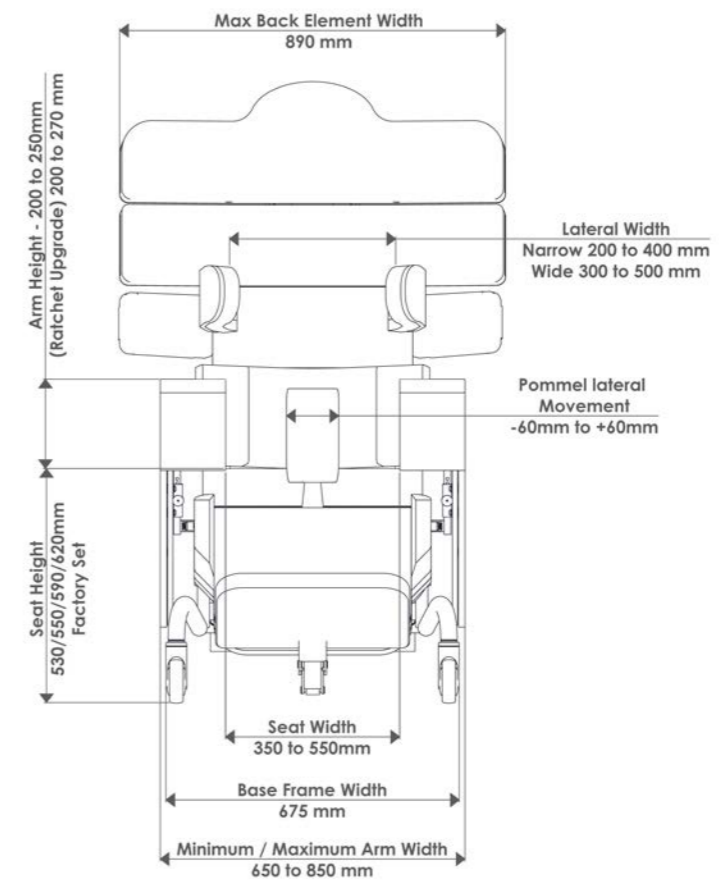
- An external pommel can encourage thigh alignment and assist with maintaining pelvic stability.
- The SmartSeatPro II's all-new fully padded pommel provides both lateral and swivel tool-free adjustments.
- The pommel can be utilised to support postural challenges such as windsweeping or tight hip adductor's.



Technical Data



Technical Data



Weights	Kilograms
Chair Weight - Manual (Standard Specification)	77kg - Now 18kg Lighter!
Chair Weight - Manual (Ratchet Arm Option)	85kg
Chair Weight - Motorised (Standard Specification)	83kg
Chair Weight - Motorised (Ratchet Arm Option)	91kg
Maximum User Weight	160kg

(All measurements ±10mm / 5°)

Fabric Range

Our range of stylish fabrics are carefully selected to suit a variety of health and care environments. All fabrics are easy to clean and offer high levels of comfort and durability. They are manufactured to be resistant to moisture ingress, and meet Crib-5 fire retardancy standards. Please see our cleaning guide for full details on recommended cleaning. All technical cards and certifications are available upon request, please email: info@careflex.co.uk if these are required.

Features

Antimicrobial Shield-plus Protection

Permanently inhibits the broadest spectrum of microbes (even *C. difficile* and COVID-19) and prevents nasty odours.

Acryltron™

Affording exceptional, improved resistance to cleaning chemicals.

Polyurethane Coating

For durability and stain resistance.

PVC Core

For core strength and durability.

Substrate

High performance knitted substrate providing a solid foundation.

Removable Covers

Our removable covers can be taken off easily for cleaning, or replaced if they are damaged.

Composition	Total Weight	Abrasion	Bursting Strength	Waterproof	Antimicrobial	Flammability Ratings						
Coating PVC/PU Blend Base cloth Viscose/Polyester	Approx 800g/m ² +/-5%	350,000+ Martindale Rubs 100,000 Wyzenbeek DR	1738 kPa	Hydrostatic head >20 metre	ISO 18184:2019	IMO FTP 2010 Part 8	CAL TB 116 & 117	NFPA 260 USA	M2 France	EN 1021 - 1/2	BS5852 2006 Ignition Source 5	BS7176 Medium Hazard

Beautiful & Durable



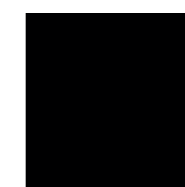
Vapour Permeable Fabric

Coating PU with a polyester base cloth.

Recommended for contact areas.

Technical properties

- Flame Retardant to Crib 5
- Waterproof 2.5 mtrs
- Stain Resistant
- Anti Microbial
- Anti Fungal
- Breathable
- Multi Stretch



Black



Dark Grey



CareFlex Ltd
Templer House
King Charles Business Park
Old Newton Road
Heathfield
Newton Abbot
TQ12 6UT

0800 018 6440
info@careflex.co.uk
www.careflex.co.uk

Call for a Free Assessment
Today!



CareFlex

